

SERVICE MANUAL

COLOR TELEVISION

- The Correction Service Manual is issued because of some errors in Service Manual of MODEL NAME TV-C1300 (UA), (S/M Code No. 09-99B-417-3R1).

aiwa
S/M Code No. 09-003-417-3C1

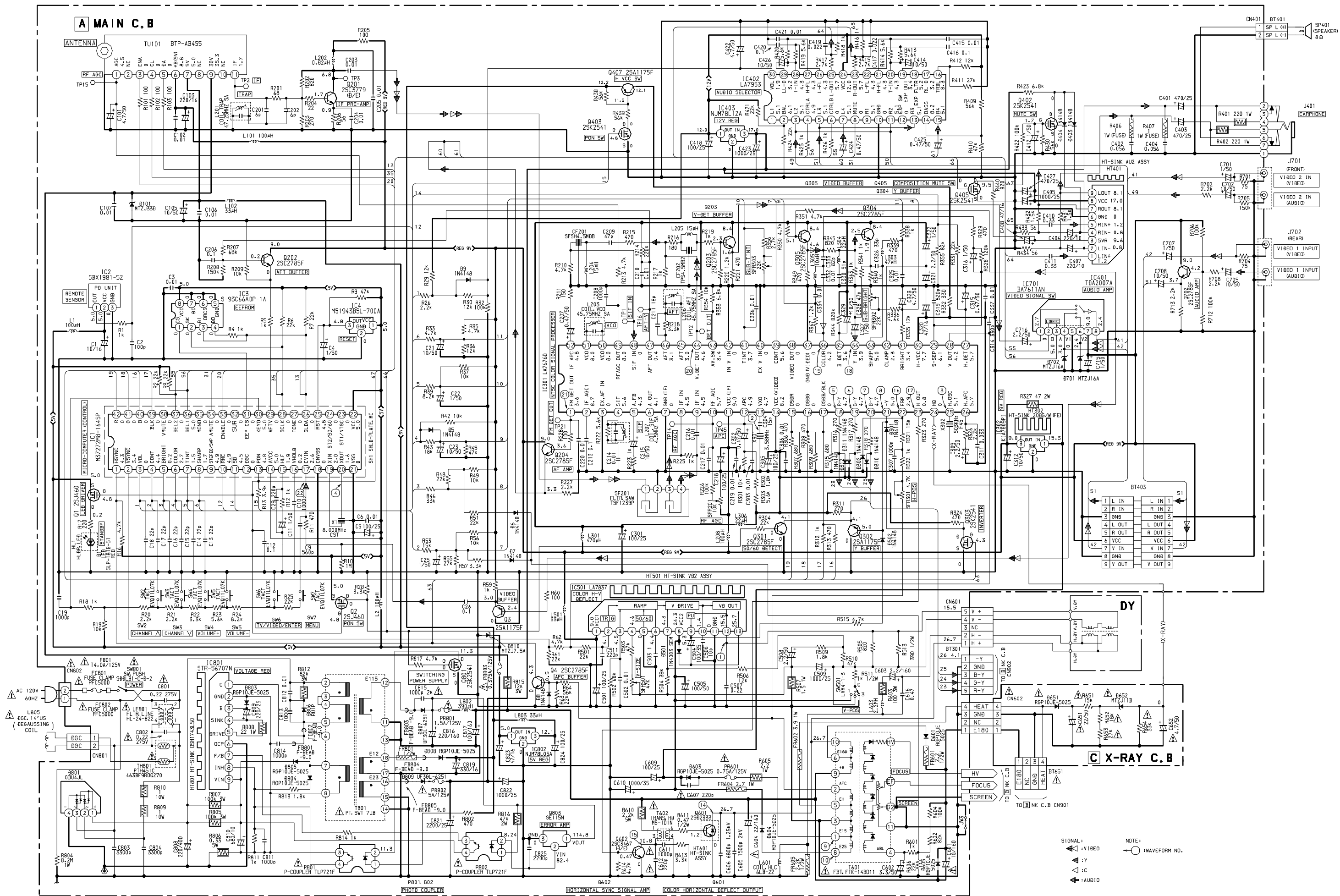
CORRECTION
DATA

ELECTRICAL MAIN PARTS LIST

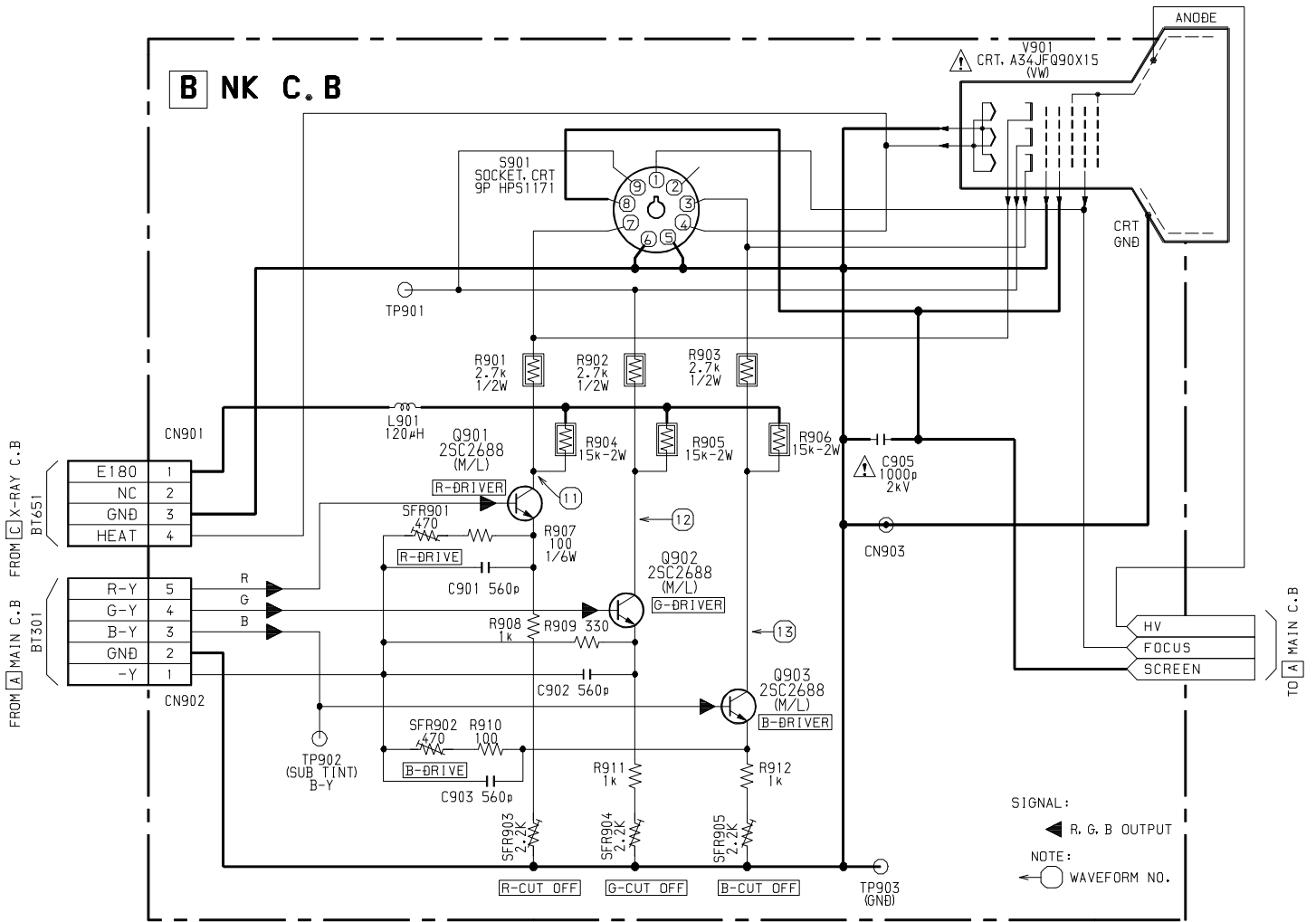
REF. NO.	PART NO.	KANRI NO.	DESCRIPTION	REF. NO.	PART NO.	KANRI NO.	DESCRIPTION
IC				C101	87-016-636-080		CAP,E 4.7-50 SSL
	8Z-JB1-621-010		IC,M37272M8-164SP	C102	87-018-134-080		CAPACITOR,TC-U 0.01-16
	87-A90-297-010		RCR UNIT,SBX1981-52	C103	87-016-575-080		CAP,E 220-16 SSL
	87-A21-392-010		IC,S-93C66ADP-1A	C105	87-016-637-080		CAP,E 10-50 SSL
	87-A20-611-080		IC,M51943BSL-700A	C106	87-018-134-080		CAPACITOR,TC-U 0.01-16
	87-A20-362-010		IC,LA7676D	C107	87-A10-207-080		CAP,TCS 0.01-50 KB UP050
	87-A20-364-010		IC,KIA7809PI	C203	87-018-134-080		CAPACITOR,TC-U 0.01-16
	87-A20-734-010		IC,TDA2007A	C204	87-018-134-080		CAPACITOR,TC-U 0.01-16
	87-002-577-010		IC,LA7953	C205	87-018-134-080		CAPACITOR,TC-U 0.01-16
	87-001-647-080		IC,NJM78L12A	C207	87-016-632-080		CAP,E 0.47-50 SSL
	87-002-524-010		IC,LA7837	C208	87-018-131-080		CAP,CER 1000P-50V
	87-017-956-010		IC,BA7611AN	C210	87-018-134-080		CAPACITOR,TC-U 0.01-16
	87-A20-980-010		IC,STR-S6707N	C211	87-A10-585-080		CAP,CER 18P-50 J CH
	87-020-881-080		IC,NJM78L05A	C214	87-018-134-080		CAPACITOR,TC-U 0.01-16
				C215	87-016-637-080		CAP,E 10-50 SSL
TRANSISTOR				C216	87-018-134-080		CAPACITOR,TC-U 0.01-16
	87-A30-091-080		FET,2SJ460	C218	87-016-583-080		CAP,E 100-25 SSL
	89-111-755-080		TR,2SA1175F	C219	87-018-134-080		CAPACITOR,TC-U 0.01-16
	89-327-854-080		TR,2SC2785F	C301	87-016-583-080		CAP,E 100-25 SSL
	89-337-794-580		TR,2SC3779D/E	C302	87-016-632-080		CAP,E 0.47-50 SSL
	87-A30-090-080		FET,2SK2541	C303	87-018-134-080		CAPACITOR,TC-U 0.01-16
	87-A30-095-010		TR,2SD2333	C305	87-016-583-080		CAP,E 100-25 SSL
	89-334-674-580		TR,2SC3467D/E	C306	87-018-134-080		CAPACITOR,TC-U 0.01-16
	87-A30-041-110		TR,SE115N	C309	87-016-634-080		CAP,E 2.2-50 SSL
	87-A30-005-010		TR,2SC2688M/L	C312	87-016-637-080		CAP,E 10-50 SSL
DIODE				C314	87-018-125-080		CAP,CER 330P-50V
	87-070-345-080		DIODE,IN4148	C315	87-016-632-080		CAP,E 0.47-50 SSL
	87-070-150-080		ZENER,MTZJ33D	C316	87-016-633-080		CAP,E 1-50 SSL
	87-070-274-080		DIODE,1N4003 SEM	C319	87-018-130-080		CAP,TC-U 820P-50 B
	87-A40-286-080		DIODE,RGP10JE-5025	C320	87-016-627-080		CAP,E 47-16 SSL
	87-A40-690-080		ZENER,MTZJ11B	C321	87-016-634-080		CAP,E 2.2-50 SSL
	87-A40-004-080		ZENER,MTZJ16A	C322	87-016-633-080		CAP,E 1-50 SSL
	87-A40-328-010		DIODE,GBU4JL	C323	87-016-636-080		CAP,E 4.7-50 SSL
	87-A40-286-050		DIODE,RGP10JE-5025	C325	87-018-134-080		CAPACITOR,TC-U 0.01-16
	87-A40-450-090		DIODE,RU1P	C326	87-018-113-080		CAP,CER 33P-50V
	87-A40-354-090		DIODE,UF3GL-6251	C327	87-016-633-080		CAP,E 1-50 SSL
	87-A40-440-080		ZENER,MTZJ7.5A	C328	87-018-115-080		CAP,CER 47P-50V
				C329	87-016-637-080		CAP,E 10-50 SSL
				C330	87-018-194-080		CAP,TC-U 91P-50 B
				C332	87-018-134-080		CAPACITOR,TC-U 0.01-16
				C333	87-018-118-080		CAP,TC-U 82P-50 B
				C334	87-018-134-080		CAPACITOR,TC-U 0.01-16
				C336	87-018-134-080		CAPACITOR,TC-U 0.01-16
				C337	87-018-134-080		CAPACITOR,TC-U 0.01-16
				C401	87-016-586-080		CAP,E 470-25 SSL
MAIN C.B				C403	87-016-586-080		CAP,E 470-25 SSL
BT301	87-JBG-625-010		CONN ASSY,5P V WHT TV-NK	C405	87-A10-776-080		CAP,E 1000-25 M 105 KMG
BT401	8Z-JBJ-606-010		CONN ASSY,2P V W SPMONO	C406	87-016-621-080		CAP,E 220-10 SSL
BT403	87-JBC-624-010		CONN ASSY,9P V JK	C407	87-016-621-080		CAP,E 220-10 SSL
C1	87-016-624-080		CAP,E 10-16 SSL	C408	87-016-627-080		CAP,E 47-16 SSL
C2	87-018-119-080		CAP,CER 100P-50V	C412	87-016-633-080		CAP,E 1-50 SSL
C3	87-018-134-080		CAPACITOR,TC-U 0.01-16	C414	87-016-637-080		CAP,E 10-50 SSL
C4	87-016-633-080		CAP,E 1-50 SSL	C418	87-016-583-080		CAP,E 100-25 SSL
C5	87-016-583-080		CAP,E 100-25 SSL	C422	87-016-636-080		CAP,E 4.7-50 SSL
C6	87-018-134-080		CAPACITOR,TC-U 0.01-16	C423	87-A10-831-080		CAP,E 1000-25 M SMG
C9	87-018-128-080		CAP,CERA-SOL SS 560P	C424	87-016-632-080		CAP,E 0.47-50 SSL
C10	87-018-131-080		CAP,CER 1000P-50V	C425	87-016-632-080		CAP,E 0.47-50 SSL
C11	87-016-633-080		CAP,E 1-50 SSL	C426	87-016-637-080		CAP,E 10-50 SSL
C12	87-018-209-080		CAP,CER 0.1-50V	C427	87-016-586-080		CAP,E 470-25 SSL
C13	87-018-109-080		CAP,CER 22P-50V	C501	87-016-583-080		CAP,E 100-25 SSL
C14	87-018-109-080		CAP,CER 22P-50V	C504	87-016-591-080		CAP,E 100-35 SSL
C15	87-018-109-080		CAP,CER 22P-50V	C505	87-016-149-080		CAP,E 100-50 M 105 KME
C16	87-018-109-080		CAP,CER 22P-50V	C506	87-A10-367-080		CAP,CER 10P-500 J SL
C17	87-018-109-080		CAP,CER 22P-50V	C507	87-A10-402-080		CAP,M 0.22-100 J TF TYPE1
C18	87-018-109-080		CAP,CER 22P-50V	C508	87-016-634-080		CAP,E 2.2-50 SSL
C19	87-018-131-080		CAP,CER 1000P-50V	C509	87-016-135-010		CAP,E 1000-25 M 105 KME
C21	87-016-637-080		CAP,E 10-50 SSL	C511	87-018-123-080		CAP,CER 220P-50V
C22	87-016-633-080		CAP,E 1-50 SSL	C601	87-016-596-080		CAP,E 10-160 SSL
C23	87-016-637-080		CAP,E 10-50 SSL	C602	87-016-635-080		CAP,E 3.3-50 SSL
C25	87-016-633-080		CAP,E 1-50 SSL	C603	87-A10-457-080		CAP,E 2.2-160 M SSL
C26	87-018-209-080		CAP,CER 0.1-50V				
C29	87-018-123-080		CAP,CER 220P-50V				

REF. NO.	PART NO.	KANRI NO.	DESCRIPTION	REF. NO.	PART NO.	KANRI NO.	DESCRIPTION
△ C604	87-016-597-080		CAP,E 22-160 SSL	L301	87-003-051-080		COIL, 470UH
C605	87-012-399-080		CAP,CER 1500P-2KBN	L303	87-003-149-080		COIL, 47UH
C606	87-A11-048-090		CAP,M/P 6800P-1.25K H PHS	L304	87-003-147-080		COIL, 22UH
△ C607	87-010-974-080		CAP,CER 220P-500 B	L305	87-003-295-080		COIL, 10UH
C609	87-016-583-080		CAP,E 100-25 SSL	L306	87-003-147-080		COIL, 22UH
C610	87-016-594-090		CAP,E 1000-35 M SSL	L501	87-005-608-080		COIL, 33UH J LAV35
△ C611	87-010-976-080		CAP,CER 1000P-500 B	L601	86-LBN-623-010		COIL,HLC 6LB-22
△ C612	87-010-974-080		CAP,CER 220P-500 B	L603	87-A50-040-010		COIL, 2.2MH
C616	87-A10-674-090		CAP,M/P 0.47-250 J	L802	87-A50-170-010		COIL, 390UH RCH106
C701	87-016-633-080		CAP,E 1-50 SSL	L803	87-005-608-080		COIL, 33UH J LAV35
C702	87-016-637-080		CAP,E 10-50 SSL	△ LF801	84-LB3-670-010		FLTR, LINE HL-24-822
C705	87-016-637-080		CAP,E 10-50 SSL	△ P801	87-A30-096-010		P-COUPLER, TLP721F
C707	87-016-633-080		CAP,E 1-50 SSL	△ P802	87-A30-096-010		P-COUPLER, TLP721F
C708	87-016-637-080		CAP,E 10-50 SSL	△ PR601	87-035-495-080		FUSE, 0.75A 125V F 251
C715	87-016-633-080		CAP,E 1-50 SSL	△ PR801	87-A90-409-080		FUSE, 1.5A 125V A 251
C716	87-016-634-080		CAP,E 2.2-50 SSL	△ PR802	87-026-690-080		FUSE, 5A 125V 251
△ C801	87-A10-688-090		CAP,M/P 0.22-275 K (B81133)	△ PR803	87-A91-526-080		FUSE, 0.375A 125V F251
△ C802	87-A10-688-090		CAP,M/P 0.22-275 K (B81133)	R327	87-A00-161-090		RES,M/F 47-2W J RSF(S)
C808	87-A11-941-090		CAP,E 220-400 KMH (25.4*40)	R401	87-A00-150-090		RES,M/F 220-1W J RSF(S)
C809	87-016-584-080		CAP,E 220-25 SSL	R402	87-A00-150-090		RES,M/F 220-1W J RSF(S)
C810	87-A10-728-080		CAP,E 680-10 M LXV	R406	87-029-158-060		RES, FUSE 1-1W J
C811	87-018-131-080		CAP,CER 1000P-50V	R407	87-029-158-060		RES, FUSE 1-1W J
C812	87-A10-645-010		CAP,M/P 0.01-1K J MMH	R503	87-025-429-080		RES,M/F 47K-1/6W F
C813	87-012-372-010		CAP,CER 1000P-2K	R507	87-A00-214-090		RES,M/F 1.5-1W J RSF(S)
C814	87-A11-324-090		CAP,M/P 1000P-1.6K H ECWH (VB)	R603	87-A00-247-090		RES,M/F 100-3W J RSF
△ C815	87-012-397-010		CAP,CER 1000P-2K BN	R605	87-A00-300-090		RES,M/F 2.2-1W J RSF(F)
C816	87-A10-731-090		CAP,E 220-160 M KMF	R610	87-A00-225-090		RES,M/F 2.2K-5W J RSV5
C817	87-A10-756-090		CAP,E 100-160 M KMF	R611	87-A00-196-090		RES,M/F 0.47-1/2W J RSF(S)
C819	87-016-576-080		CAP,E 330-16 SSL	R804	87-A00-224-090		RES, SD 8.2M-1W J CE
C821	87-016-588-090		CAP,E 2200-25 SSL	R805	87-A00-333-090		RES,M/F 100K-3W J RSS
C822	87-016-587-090		CAP,E 1000-25 M SSL	R806	87-A00-287-090		RES, CEM 0.33-5W K RGC5
C823	87-016-627-080		CAP,E 47-16 SSL	R807	87-A00-333-090		RES,M/F 100K-3W J RSS
C824	87-016-583-080		CAP,E 100-25 SSL	R808	87-A00-243-090		RES,M/F 22-1W J RSF(S)
C825	87-A10-469-080		CAP,CER 2200P-500 K B DD10	R809	87-A00-332-090		RES, CEM 1-10W J RGC
CF201	84-LB3-627-010		FLTR, SFSH 4.5MDB SIF	R810	87-A00-332-090		RES, CEM 1-10W J RGC
CF202	84-LB3-626-010		FLTR, TPS4.5MB2	R812	87-A00-170-090		RES,M/F 82K-3W J RSF(S)
CN401	87-099-043-010		CONN, 2P EH	R815	87-A00-199-090		RES,M/F 12K-3W J RSF(S)
CN601	87-099-675-010		CONN, 5P V V	R816	87-A00-223-090		RES,M/F 47K-2W J RSF(S)
CN801	87-099-454-010		CONN, 2P TV-50 EYLET	SF201	87-A90-694-010		FLTR, SAW TSF1239P
△ CN802	87-099-674-010		CONN, 2P VA V	SFR201	87-024-433-080		SFR, 10K H RH063MC
D1	87-070-110-010		LED, SLP-181B-51 RED	SFR301	87-024-432-080		SFR, 4.7K H RH063MC
△ F801	87-035-489-010		FUSE, 4A 125V T237	SFR302	87-024-434-080		SFR, 22K H RH063MC
FB801	87-003-320-080		F-BEAD, -9.0 FBR07HA121NB-00	SFR303	87-024-434-080		SFR, 22K H RH063MC
FB802	87-003-320-080		F-BEAD, -9.0 FBR07HA121NB-00	SFR501	87-024-587-080		SFR, 47K DIA6 EVM
FB803	87-003-320-080		F-BEAD, -9.0 FBR07HA121NB-00	SW2	87-A90-712-080		SW, TACT EVQ11L07K
FB804	87-003-320-080		F-BEAD, -9.0 FBR07HA121NB-00	SW3	87-A90-712-080		SW, TACT EVQ11L07K
FB805	87-003-320-080		F-BEAD, -9.0 FBR07HA121NB-00	SW4	87-A90-712-080		SW, TACT EVQ11L07K
△ FC801	87-033-213-080		FUSE CLAMP, PFC5000	SW5	87-A90-712-080		SW, TACT EVQ11L07K
△ FC802	87-033-213-080		FUSE CLAMP, PFC5000	SW6	87-A90-712-080		SW, TACT EVQ11L07K
FR601	87-A00-063-060		RES, FUSE 2.2-1/2W J R-TYPE	SW7	87-A90-712-080		SW, TACT EVQ11L07K
FR602	87-A00-052-060		RES, FUSE 3.9-1W J R-TYPE	SW501	87-A90-567-010		SW, LVR 4-1-3 EVQRAAL10
FR604	87-A00-051-060		RES, FUSE 2.7-1W J R-TYPE	△ SW801	87-A90-364-010		SW, PUSH SDDL1-C-D-2
FR605	87-A00-049-060		RES, FUSE 2.2K-1/2WJ R-TYPE	△ T601	84-LB3-607-010		FBT, FTK-14B011
FR801	87-A00-081-090		RES, FUSE 1-1/2W	△ T602	84-LB3-651-010		TRANS, HD MS-101N
HL1	84-LB3-216-010		HLDR, LED	△ T801	87-JBC-627-110		PT, SWT 7JB
J401	87-A60-420-010		JACK, 3.5 ST (MSC)	△ TH801	87-A90-830-010		POS-THMS, PTH451C463BF9R0Q270
J701	87-A60-321-010		JACK, PIN 2P BLK-Y	TU101	87-A90-660-010		TU UNIT, BTP-AB455
J702	8Z-JBJ-604-010		JACK, PIN 2P Y YKC-7181	X1	87-030-212-080		VIB, CER 8.000MHZ CST
L1	87-005-614-080		COIL, 100UH LAV35 J	X301	87-A70-007-080		VIB, XTAL 3.58MHZ AQC-1001
L2	87-005-614-080		COIL, 100UH LAV35 J	X302	87-A70-017-010		VIB, CER 503KHZ F45
L101	87-005-614-080		COIL, 100UH LAV35 J				
L102	87-005-608-080		COIL, 33UH J LAV35	NK C.B			
L201	84-LB2-684-010		COIL, TRAP 47.25MHZ SA				
L202	87-003-140-080		COIL, 0.82UH K LAL02	C901	87-018-128-080		CAP, CERA-SOL SS 560P
L203	84-LB2-681-010		COIL, VCO 45.75MHZ SA	C902	87-018-128-080		CAP, CERA-SOL SS 560P
L204	87-005-604-080		COIL, 15UH J LAV35	C903	87-018-128-080		CAP, CERA-SOL SS 560P
L205	87-003-146-080		COIL, 15UH LAL02	△ C905	87-012-397-010		CAP, CER 1000P-2K BN
L206	84-LB2-682-010		COIL, AFT 45.75MHZ SA	CN901	87-049-469-010		CONN, 4P V
L207	84-LB2-683-010		COIL, SIF 4.5MHZ SA				
L208	87-005-485-080		COIL, 100UH J FLR50	CN902	87-009-033-010		CONN, 5P
				CN903	87-A60-485-010		CONN, 2P V LV GRA

SCHEMATIC DIAGRAM - 1 (MAIN / X-RAY)



SCHEMATIC DIAGRAM - 2 (NK)



アイワ株式会社 〒110-8710 東京都台東区池之端1-2-11 ☎03(3827)3111 (代表)
AIWA CO.,LTD. 2-11, IKENOHATA 1-CHOME, TAITO-KU, TOKYO 110, JAPAN TEL:03 (3827) 3111